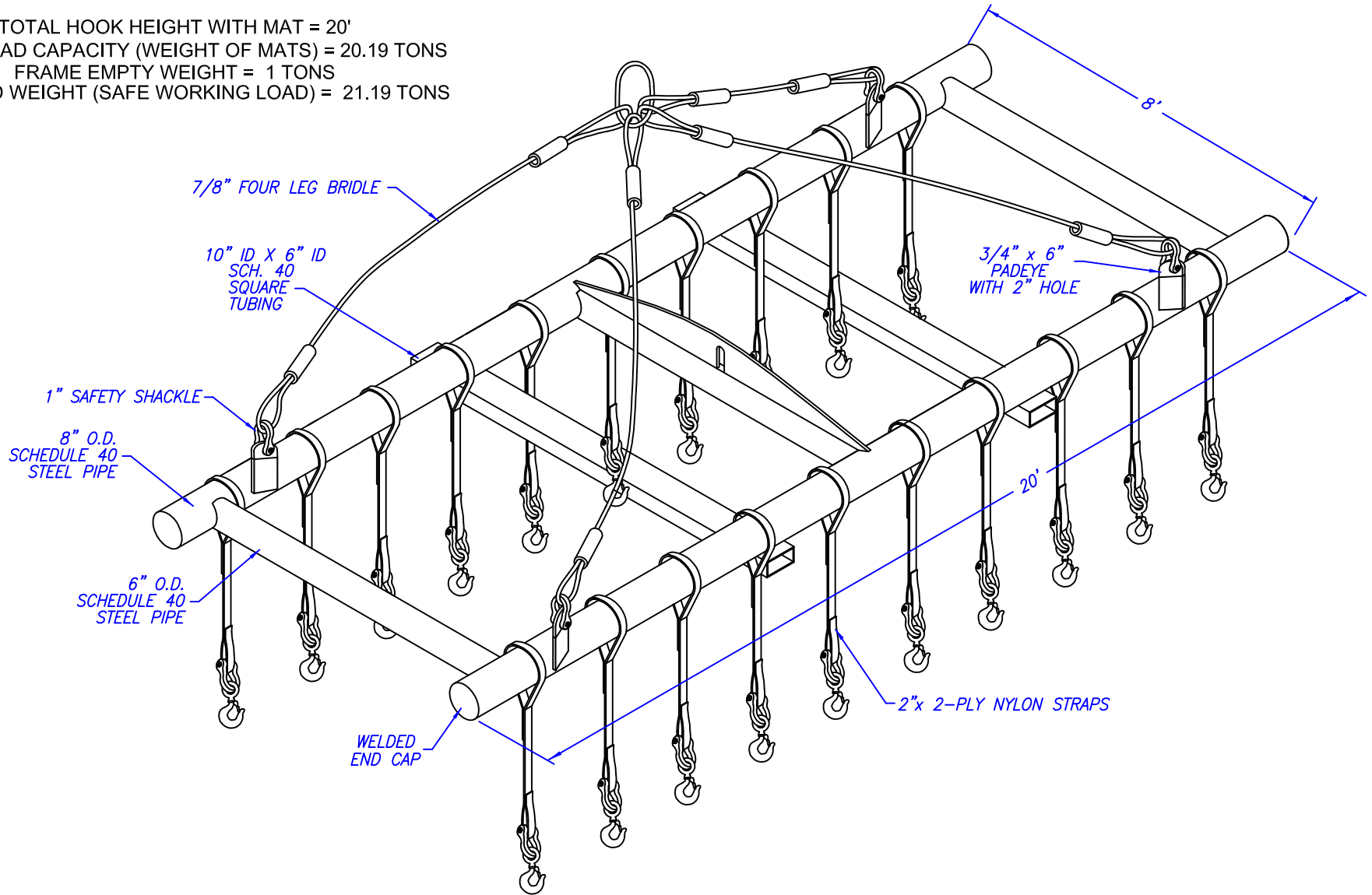



TOTAL HOOK HEIGHT WITH MAT = 20'  
 FRAME LOAD CAPACITY (WEIGHT OF MATS) = 20.19 TONS  
 FRAME EMPTY WEIGHT = 1 TONS  
 FULL LOAD WEIGHT (SAFE WORKING LOAD) = 21.19 TONS



ISOMETRIC VIEW

805 Dunn Street  
 Houma, LA 70360  
 Ph. 985-868-0001  
 Fax 985-851-0108  
 Email: [submar@submar.com](mailto:submar@submar.com)  
 Website: [www.submar.com](http://www.submar.com)



THESE CONCEPTUAL DRAWINGS ARE PREPARED BY SUBMAR FOR ESTIMATING PURPOSES ONLY AND ARE NOT CONSTRUCTION DRAWINGS. THESE CONFIDENTIAL DRAWINGS MAY NOT BE COPIED UNLESS APPROVED BY SUBMAR, INC.

SHEET TITLE:					
<b>20' Manual Release Yard Frame</b>					
COPYRIGHT © SUBMAR, INC. 2011 ALL RIGHTS RESERVED.	DATE: 06/13/11	SHEET: 1 of 1	SCALE: N.T.S.	PROJECT #	DRAWING #