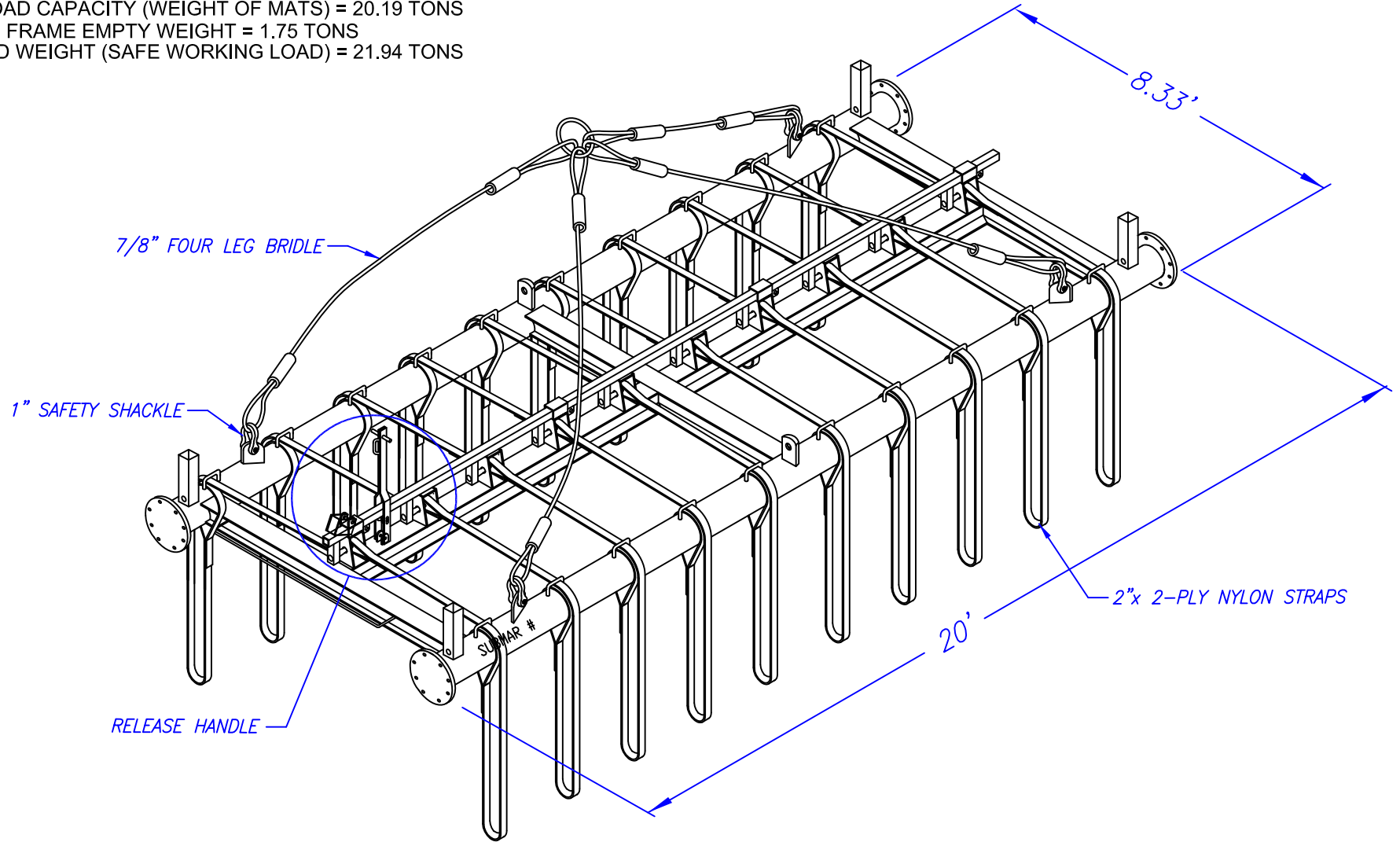



(DEPENDING ON MAT CONFIGURATION)  
 TOTAL HOOK HEIGHT WITH MAT = 17' OR 24'  
 FRAME LOAD CAPACITY (WEIGHT OF MATS) = 20.19 TONS  
 FRAME EMPTY WEIGHT = 1.75 TONS  
 FULL LOAD WEIGHT (SAFE WORKING LOAD) = 21.94 TONS



<p>805 Dunn Street          Houma, LA 70360          Ph. 985-868-0001          Fax 985-851-0108          Email: <a href="mailto:submar@submar.com">submar@submar.com</a>          Website: <a href="http://www.submar.com">www.submar.com</a></p> 	SHEET TITLE:				
<h2>20' Single Release Deployment Frame</h2>					
<p>THESE CONCEPTUAL DRAWINGS ARE PREPARED BY SUBMAR FOR ESTIMATING PURPOSES ONLY AND ARE NOT CONSTRUCTION DRAWINGS. THESE CONFIDENTIAL DRAWINGS MAY NOT BE COPIED UNLESS APPROVED BY SUBMAR, INC.</p>	<p>COPYRIGHT © SUBMAR, INC. 2011          ALL RIGHTS RESERVED.</p>	<p>DATE:          04/27/11</p>	<p>SHEET:          1 of 1</p>	<p>SCALE:          N.T.S.</p>	<p>PROJECT #          DRAWING #</p>

PATENTED  
 NO. 6,139,220  
 NO. 6,106,194