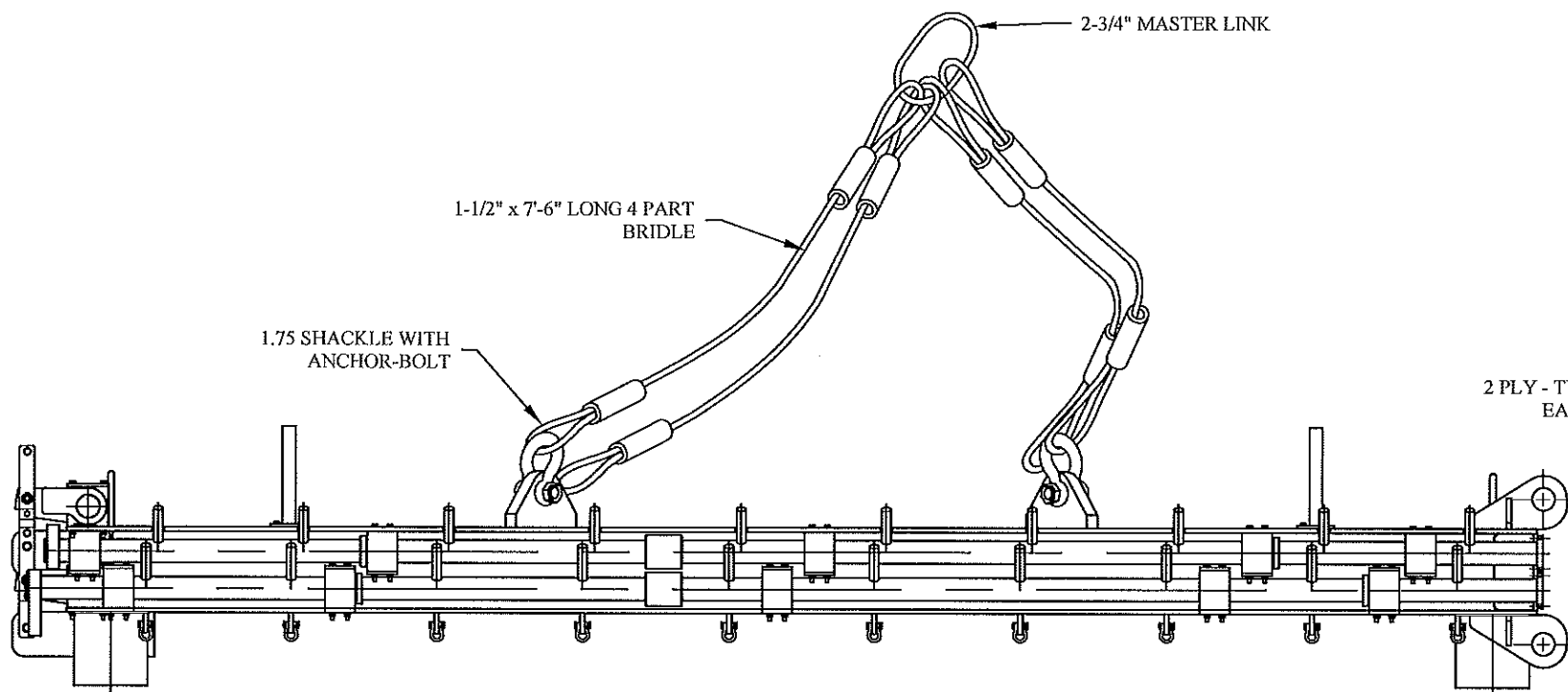


PLAN VIEW

#	REVISION	DATE
1	SWL REVISED TO 63,000 LBS	8/3/2017
2	REVISED THE COMPANY ADDRESS AND COPYRIGHT DATE	8/11/2017

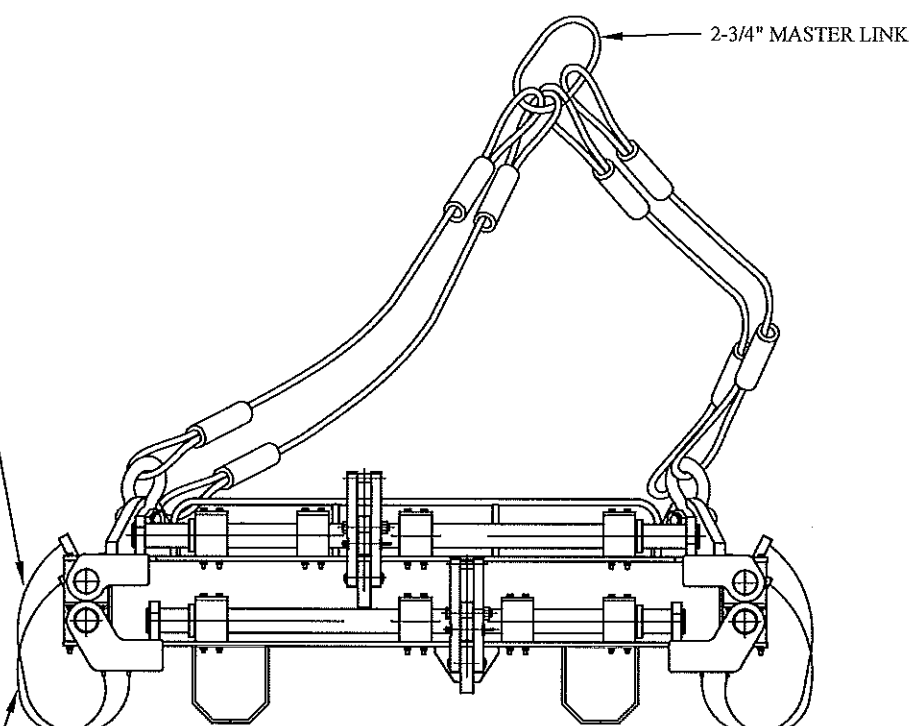
MATERIAL LIST	
QTY	DESCRIPTION
4	1.75" SHACKLE 25T
40	.5 SHACKLE W/ ANCHOR BOLT
20	1" x 12" 2 PLY STRAPS
20	1" x 18" 2 PLY STRAPS
1	1-1/2" x 7-6" 4 PART BRIDLE
1	2-3/4" MASTER LINK



SIDE VIEW

2 PLY - TYPE 3 1" x 18" W/ 12" EYE EACH END NYLON SLINGS

2 PLY - TYPE 3 1" x 12" W/ 12" EYE EACH END NYLON SLINGS



LEFT END VIEW

CAPACITY CHART	
FRAME WT.	13,000 LBS
EMPTY WT.	13,000 LBS
SAFE WORKING LOAD	63,000 LBS

LEGEND:



1711 Dunn Street
Houma, LA 70360
Ph. 985-868-0001
Fax 985-851-0108
Email: submar@submar.com
Website: www.submar.com

20' DUAL RELEASE
DEPLOYMENT FRAME

SHEET TITLE:

20' DUAL RELEASE
DEPLOYMENT FRAME

THESE DRAWINGS WERE PREPARED BY SUBMAR, INC. THESE CONFIDENTIAL DRAWINGS MAY NOT BE COPIED UNLESS APPROVED BY SUBMAR, INC.

COPYRIGHT © SUBMAR, INC.
2017 ALL RIGHTS RESERVED.

DATE:
5/20/16

SHEET:
1 of 1

SCALE:
N.T.S.

PROJECT #:

DRAWING #:
OS20-DRMF

DWN BY:
MJP

CKD BY:
BMC

CONTACT:

PHONE:

J:\PERSON\AUTOCAD\CUSTOMER\MSS\DWG\20 FT OR DEPLOY FRAME\DWG\SUBMAR\20 FT DUAL RELEASE SET UP