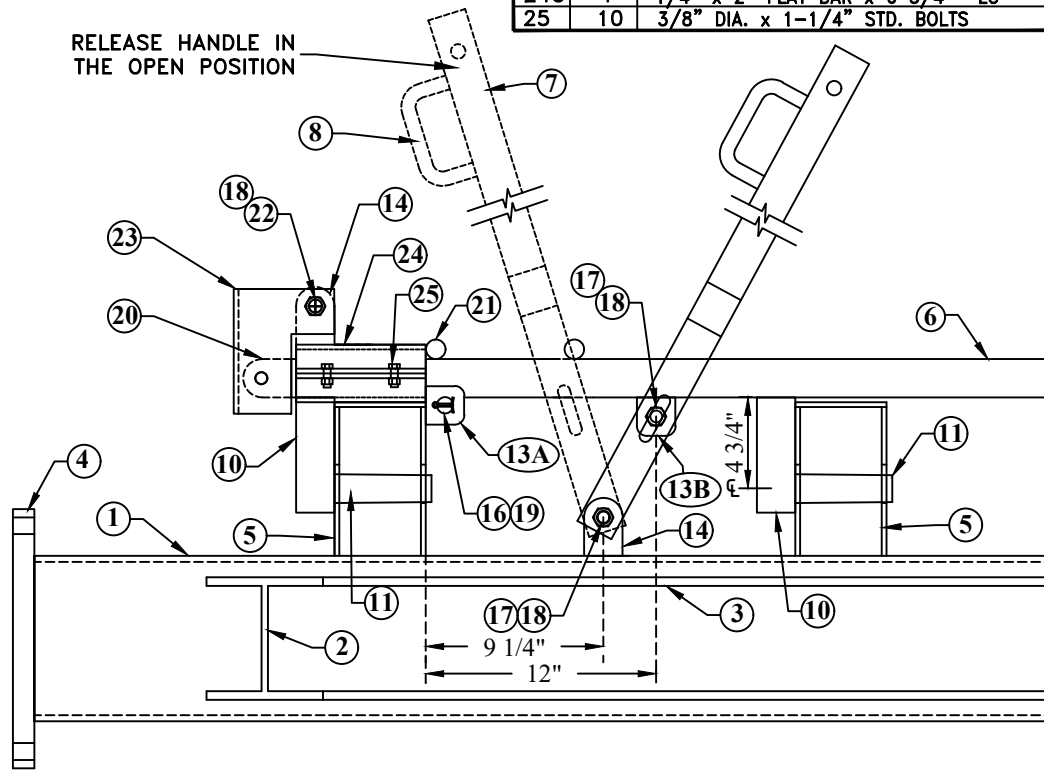
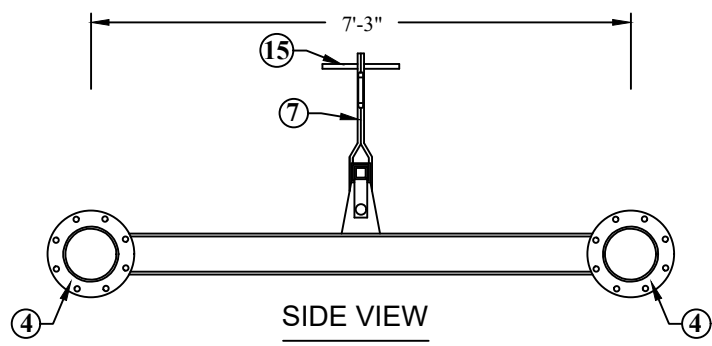


BILL OF MATERIALS					
NO.	QTY.	DESCRIPTION	NO.	QTY.	DESCRIPTION
1	2	8" O.D. GALVANIZED SCHEDULE 40 STEEL PIPE - 19'-11" LG.	13A	8	3/8" x 2" F.B. x 2" LG (7/8" DIA.)
2	3	W6 X 25# BEAM 6' - 8 3/8" LG	13B	2	3/8" x 2" F.B. x 2" LG (3/4" DIA.)
3	2	W6 X 25# BEAM x 8'-11 3/4" LG	14	4	3/8" x 2" F.B. x 3" LG
4	4	8" X 150# RAISED FACE SLIP-ON FLANGES	15	1	1-1/4" x 10" STEEL PINS C.R.
5	10	4" X 8" RECT. TUBING	16	4	3/4" x 4 1/2" S. S. PINS
6	1	2" x 2" x 18'-6" LG. SOLID STEEL BAR	17	2	5/8" x 5" STD. BOLTS
7	2	1/2" x 2" F.B. x 38 1/2" LG.	18	6	5/8" STD. NUTS
8	21	3/4" ROUND BAR x 10" LG	19	10	3/16" x 2" COTTER PINS S.S
9	6	3/4" PLATE LIFT EYE, 6" x 15" LG.	20	2	7/8" x 2" x 2 3/4" LG
10	10	2" x 2" x 6" LG. SOLID STEEL BAR	21	1	1" ROUND BAR 2" LG
11	10	1 1/2" x 4 1/2" STEEL PIN C.R.	22	1	5/8" x 5" STD BOLT
12A	6	1/4"x3" SQ. TUBING x3" LG (CUT IN HALF)	23	1	1/4" x 6-1/2" F.B. x 14.5" LG
12B	12	1/4" x 2" FLATBAR x 3" LG	24A	1	1/4"x3" SQ. TUBING x 6 3/4" LG(CUT IN HALF)
			24B	1	1/4"x3" SQ.TUBING x6 3/4" LG(2 3/4" CUTOUT)
			24C	4	1/4" x 2" FLAT BAR x 6 3/4 " LG
			25	10	3/8" DIA. x 1-1/4" STD. BOLTS



ENLARGED DETAIL

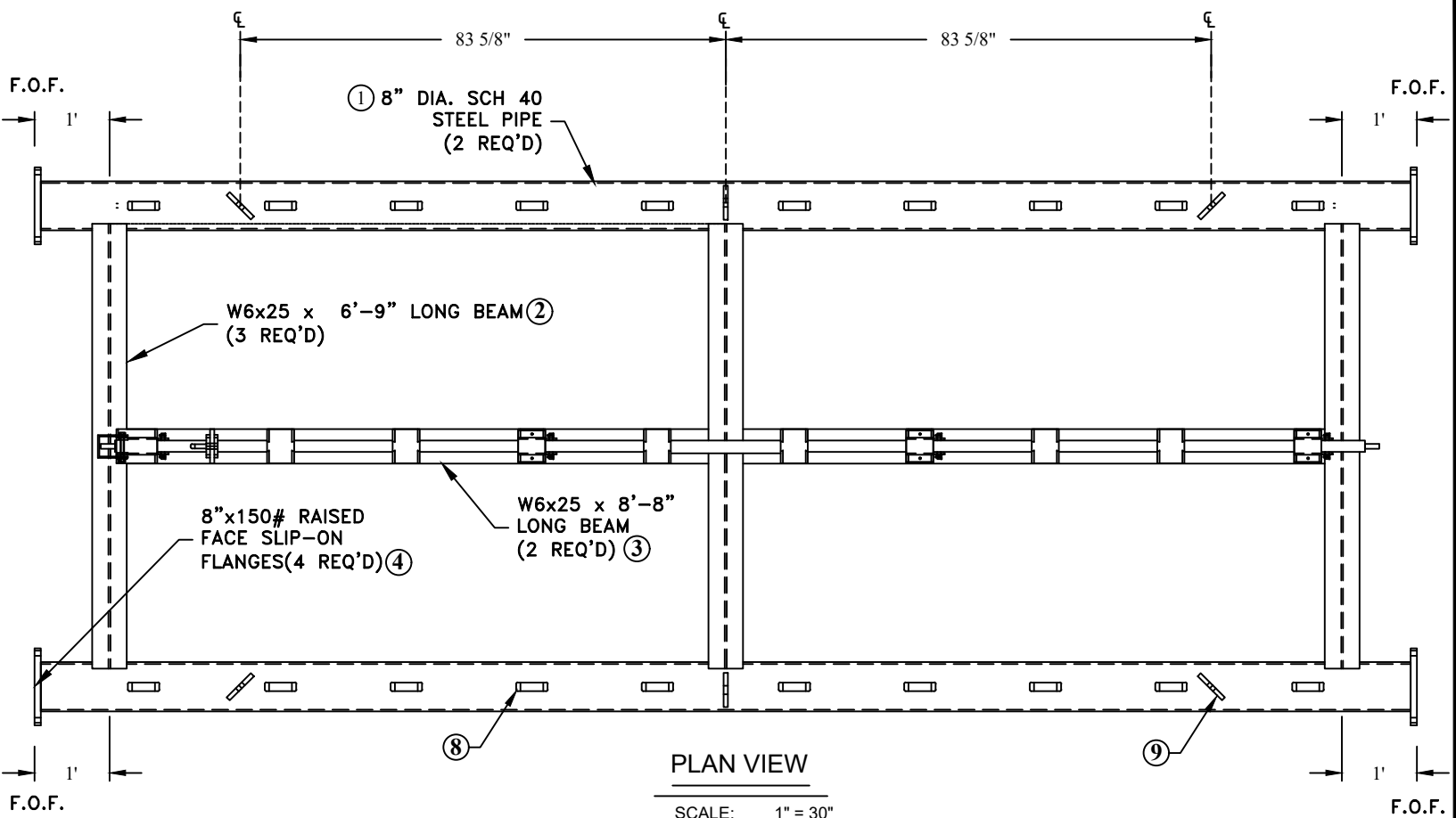
SCALE: 1" = 10"



SIDE VIEW

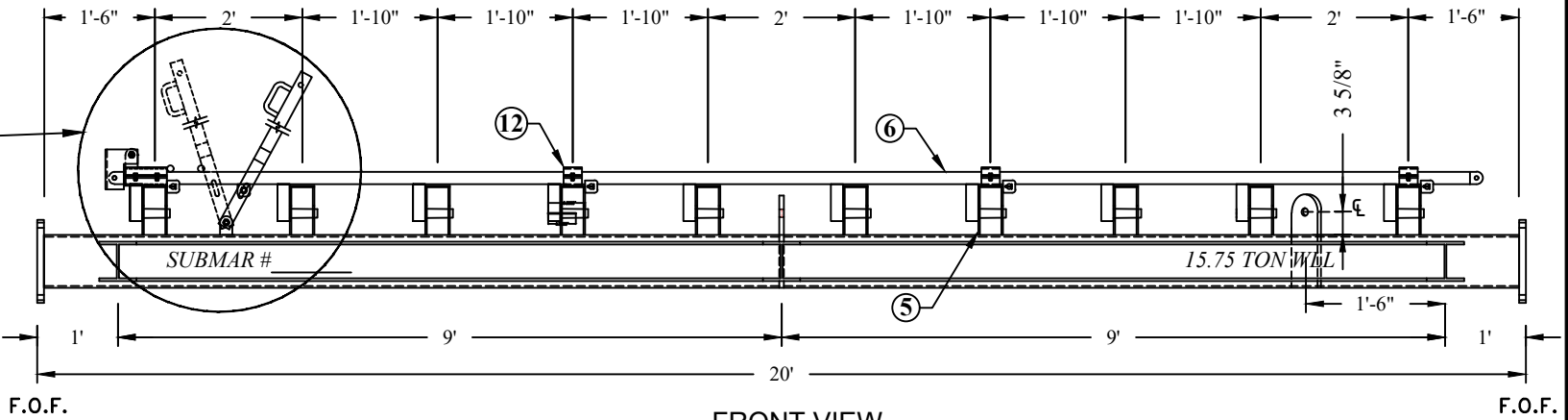
SCALE: 1" = 30"

SEE ENLARGED DETAIL THIS SHEET



PLAN VIEW

SCALE: 1" = 30"



FRONT VIEW

SCALE: 1" = 30"

	SPECIFICATIONS	
	IMPERIAL	METRIC
DIMENSIONS	8.33'x20'x1'	2.5mx6.1mx0.30m
FRAME EMPTY WEIGHT (W/ RIGGING)	3,183 lbs.	1.44 mt
WORKING LOAD LIMIT (WLL)	15.75 tn	14.29 mt

SUBMAR®
 104 ROYAL OAK BLVD
 THIBODAUX, LA 70301
 PH. 985-868-0001
 WEBSITE: WWW.SUBMAR.COM

No.	REVISION DESCRIPTION	DATE
3	UPDATED SHEET INFO	03/01/24
4	UPDATED SHEET INFO	08/29/24
5	UPDATED SHEET INFO	01/31/25
6	UPDATED SHEET INFO	03/15/26

DATE: 11/17/2016
 DWN: JEE
 PROJECT No: _____
 CHK: JMF

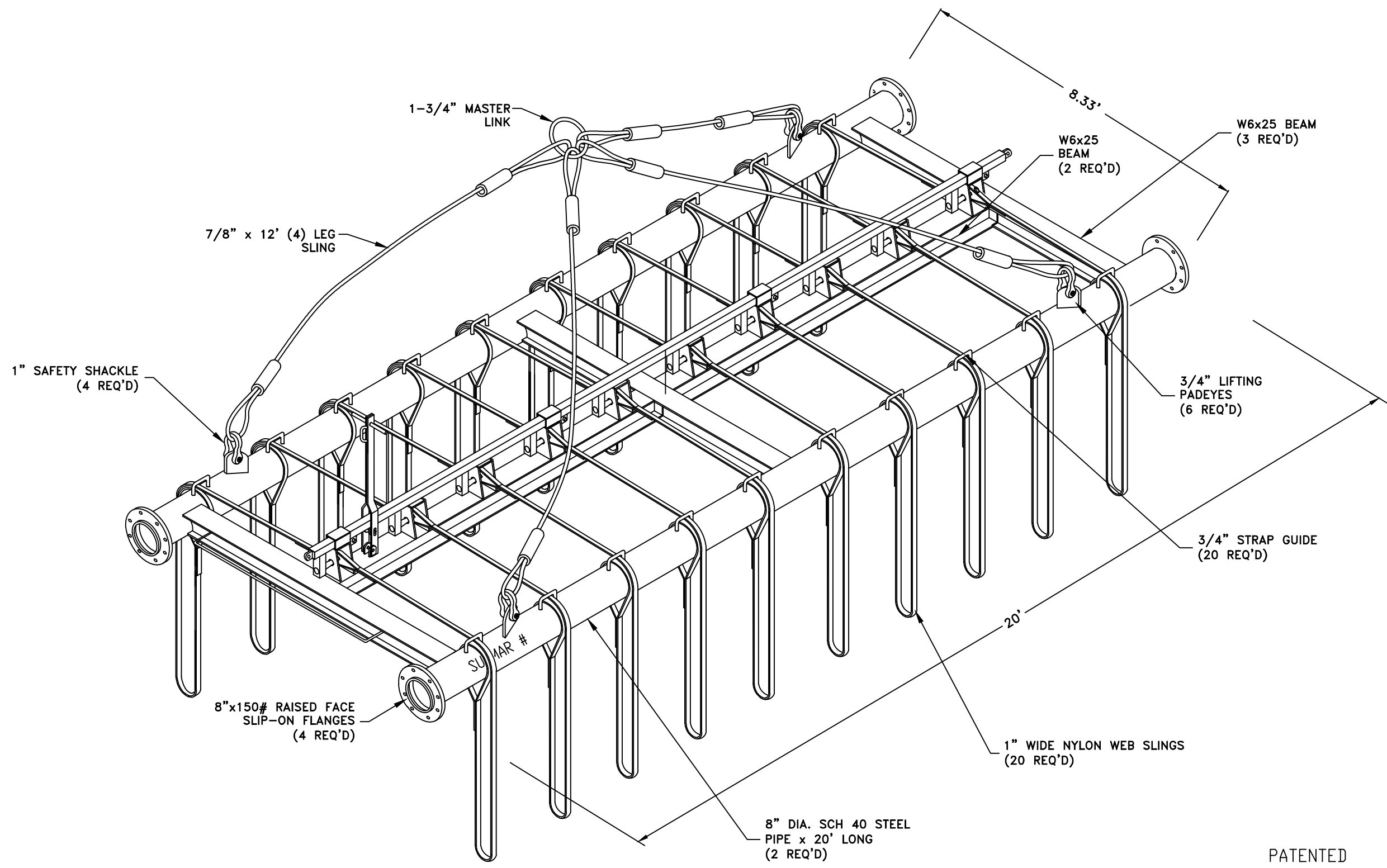
20' MECHANICAL RELEASE HANDLING FRAME

SHEET TITLE:
 ASSY.

SHEET No:
 SRMF20-101

THESE CONCEPTUAL DRAWINGS ARE PREPARED BY SUBMAR FOR ESTIMATING PURPOSES ONLY AND ARE NOT CONSTRUCTION DRAWINGS. THESE CONFIDENTIAL DRAWINGS MAY NOT BE COPIED UNLESS APPROVED BY SUBMAR, INC. COPYRIGHT © SUBMAR, INC. 2026 ALL RIGHTS RESERVED.

SCALE: N.T.S.



PATENTED
 NO. 6,139,220
 NO. 6,106,194

SPECIFICATIONS		
	IMPERIAL	METRIC
DIMENSIONS	8.33'x20'x1'	2.5mx6.1mx0.30m
FRAME EMPTY WEIGHT (W/ RIGGING)	3,183 lbs.	1.44 mt
WORKING LOAD LIMIT (WLL)	15.75 tn	14.29 mt

SUBMAR®
 104 ROYAL OAK BLVD
 THIBODAUX, LA 70301
 PH. 985-868-0001
 WEBSITE: WWW.SUBMAR.COM

No.	REVISION DESCRIPTION	DATE
3	UPDATED SHEET INFO	12/12/23
4	UPDATED SHEET INFO	08/29/24
5	UPDATED SHEET INFO	01/31/25
6	UPDATED SHEET INFO	03/15/26

DATE: 11/17/2016
 DWN: JEE
 PROJECT No:
 CHK: JMF

20' MECHANICAL RELEASE
 HANDLING FRAME

SHEET TITLE:
 ISOMETRIC

SHEET No:
 SRMF20-103

THESE CONCEPTUAL DRAWINGS ARE PREPARED BY SUBMAR FOR ESTIMATING PURPOSES ONLY AND ARE NOT CONSTRUCTION DRAWINGS. THESE CONFIDENTIAL DRAWINGS MAY NOT BE COPIED UNLESS APPROVED BY SUBMAR, INC. COPYRIGHT © SUBMAR, INC. 2026 ALL RIGHTS RESERVED.

SCALE: N.T.S.