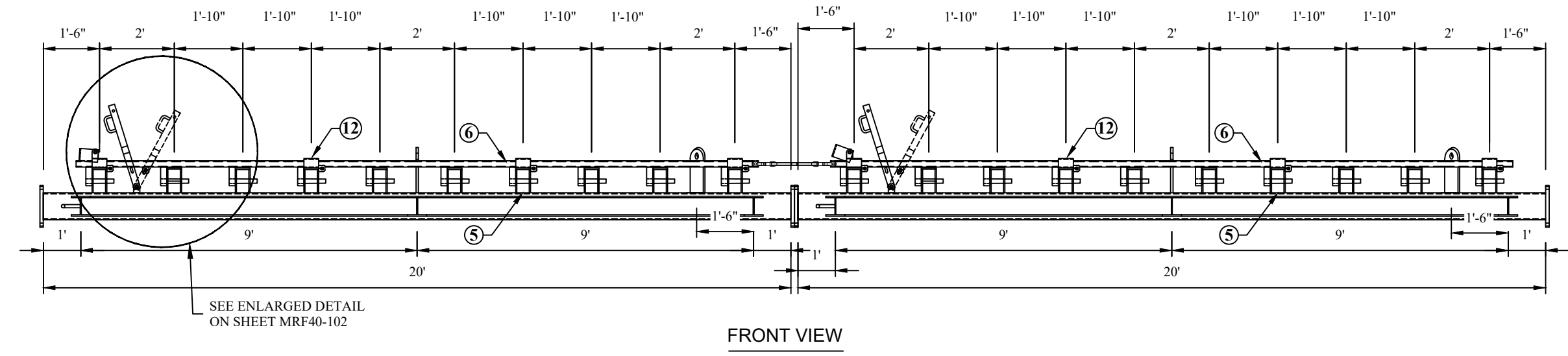
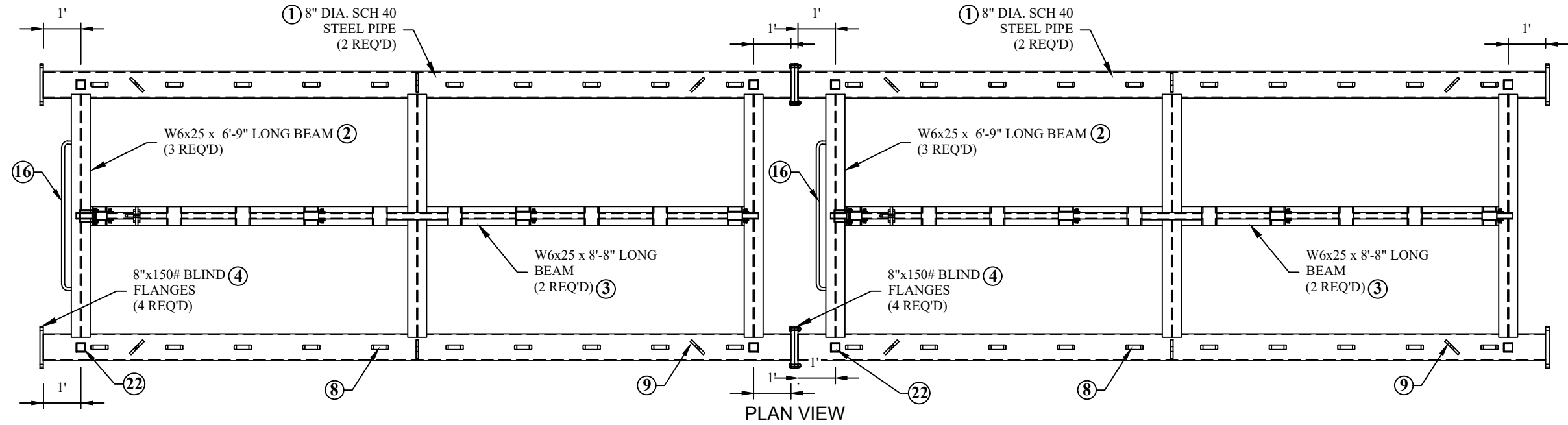
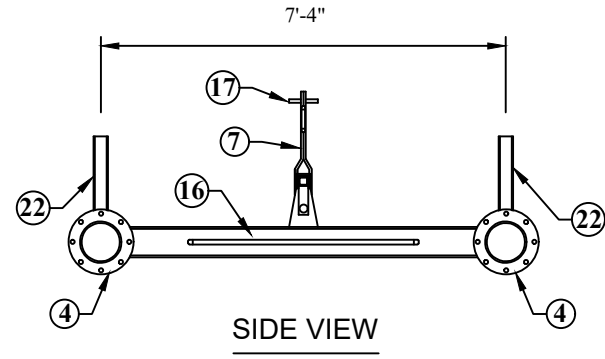


BILL OF MATERIALS					
NO.	QTY.	DESCRIPTION	NO.	QTY.	DESCRIPTION
1	4	8" O.D. SCHEDULE 40 STEEL PIPE 20' LG.	13	2	1/4" x 4" F.B. x 16" LG
2	6	W6 X 25# BEAM 6'-9" LG	14	20	3/8" x 2" F.B. x 2" LG
3	4	W6 X 25# BEAM x 8'-8" LG	15	8	3/8" x 2" F.B. x 3" LG
4	8	8" X 150# BLIND FLANGES	16	2	5' X 1" COLD ROLL
5	20	4" X 8" RECT. TUBING	17	2	3/4" x 6" STEEL PINS C.R.
6	2	2x2x1/4" SQUARE TUBING x 18'-3" LG.	18	8	3/4" x 4 1/2" S. S. PINS
7	4	1/2" x 2" F.B. x 28 1/2" LG.	19	4	5/8" x 4 1/2" STD. BOLTS
8	42	3/4" ROUND BAR x 10" LG	20	12	5/8" STD. NUTS
9	12	3/4" PLATE LIFT EYE, 6" x 14" LG.	21	20	3/16" x 2" COTTER PINS S.S
10	20	2x2x1/4" F.B. x 6" LG.	22	8	3" X 3" X 18" SQ. TUBING
11	20	1 1/2" x 7" STEEL PIN C.R.	23	2	5/8 X 5 1/2 STD BOLT
12	8	3x3x1/4" SQUARE TUBING x 4 3/4" LG.			



SUBMAR®
 104 ROYAL OAK BLVD
 THIBODAUX, LA 70301
 PH. 985-868-0001
 WEBSITE: WWW.SUBMAR.COM

NO.	REVISION DESCRIPTION	DATE
3	UPDATED SHEET INFO	01/31/25
4	UPDATED SHEET INFO	04/22/25
5	NO CHANGE THIS SHEET	05/05/25
6	UPDATED SHEET INFO	03/15/26

DATE: 11/17/2016
 DWN: MJP
 PROJECT No:
 CHK: JMF

40' MECHANICAL RELEASE
 HANDLING FRAME

SHEET TITLE:
 ASSEMBLY

SHEET No:
 SRMF40-101

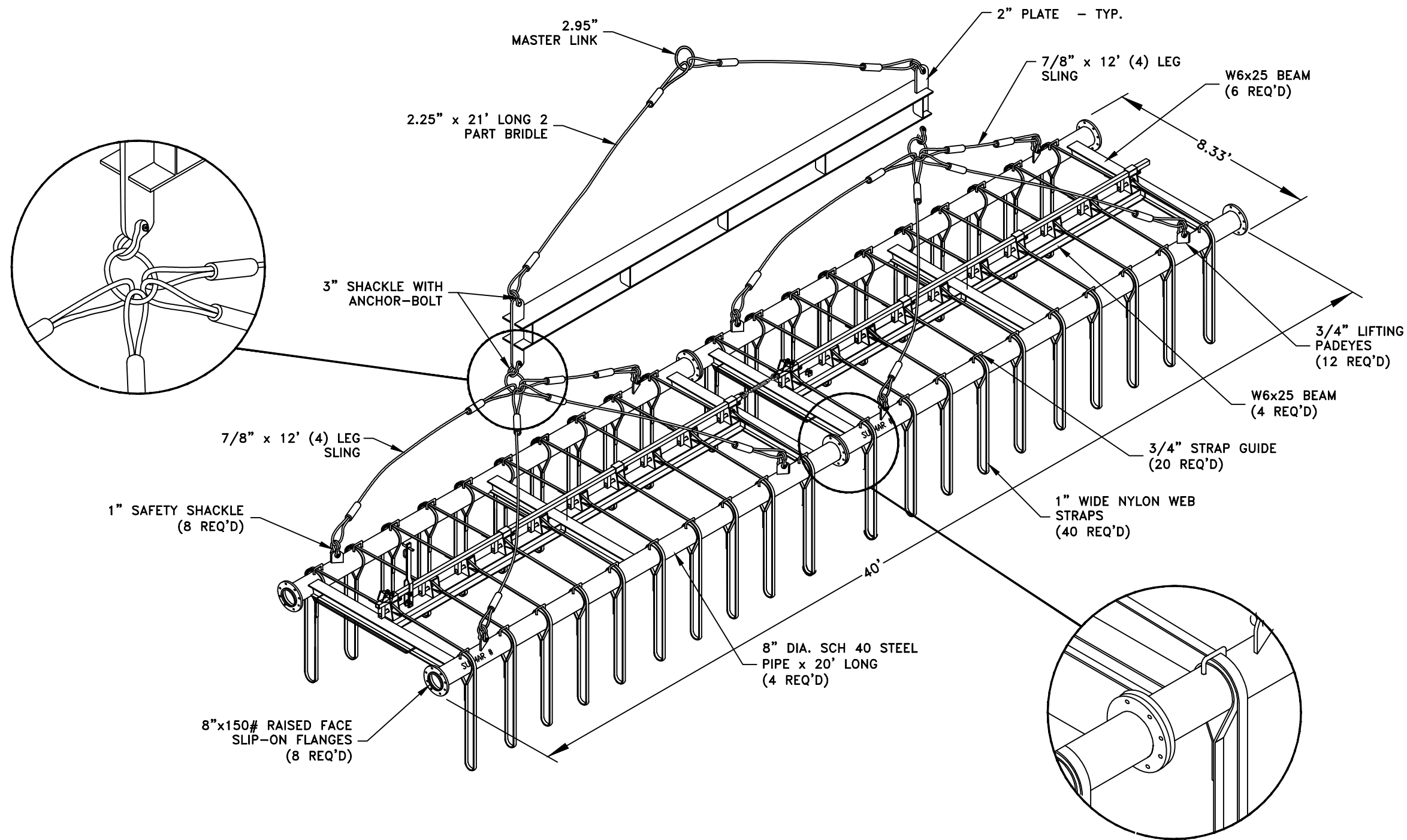
C:\USERS\VEROCHE\ONEDRIVE - SUBMAR\ENG_DEPT\AUTOCAD\DETAILS\UPDATED FRAMES (02.04.25)\40' MECHANICAL RELEASE\CAD\REV 6\MRF_40 FT MECHANICAL RELEASE_REV 6

THESE CONCEPTUAL DRAWINGS ARE PREPARED BY SUBMAR FOR ESTIMATING PURPOSES ONLY AND ARE NOT CONSTRUCTION DRAWINGS. THESE CONFIDENTIAL DRAWINGS MAY NOT BE COPIED UNLESS APPROVED BY SUBMAR, INC. COPYRIGHT © SUBMAR, INC. 2026 ALL RIGHTS RESERVED.

SCALE: N.T.S.

	SPECIFICATIONS	
	IMPERIAL	METRIC
DIMENSIONS	8.33'x20'x1'	2.5mx6.1mx0.30m
FRAME EMPTY WEIGHT (W/ RIGGING)	6,366 lbs.	2.89 mt
WORKING LOAD LIMIT (WLL)	31.5 tn	28.57 mt

C:\USERS\JEROCH\ONEDRIVE - SUBMAR\ENG\DEPT\AUTOCAD\DETAILS\UPDATED FRAMES (02.04.25)\V01 MECHANICAL RELEASE (02.04.25)\V01 MECHANICAL RELEASE_REV 6



SPECIFICATIONS		
	IMPERIAL	METRIC
DIMENSIONS	8.33'x20'x1'	2.5mx6.1mx0.30m
FRAME EMPTY WEIGHT (W/ RIGGING, SPREADER BAR, AND HANGING COMPONENTS)	10,500 lbs.	4.76 mt
WORKING LOAD LIMIT (WLL)	31.5 tn	28.57 mt

THESE CONCEPTUAL DRAWINGS ARE PREPARED BY SUBMAR FOR ESTIMATING PURPOSES ONLY AND ARE NOT CONSTRUCTION DRAWINGS. THESE CONFIDENTIAL DRAWINGS MAY NOT BE COPIED UNLESS APPROVED BY SUBMAR, INC. COPYRIGHT © SUBMAR, INC. 2026 ALL RIGHTS RESERVED.

SCALE: N.T.S.

SUBMAR®
 104 ROYAL OAK BLVD
 THIBODAUX, LA 70301
 PH. 985-868-0001
 WEBSITE: WWW.SUBMAR.COM

No.	REVISION DESCRIPTION	DATE
3	UPDATED SHEET INFO	01/31/25
4	UPDATED SHEET INFO	04/22/25
5	NO CHANGE THIS SHEET	05/05/25
6	UPDATED SHEET INFO	03/15/26

DATE: 11/17/2016
 DWN: MJP
 PROJECT No:
 CHK: JMF

40' MECHANICAL RELEASE
 HANDLING FRAME

SHEET TITLE:

ISOMETRIC

SHEET No:

SRMF40-103