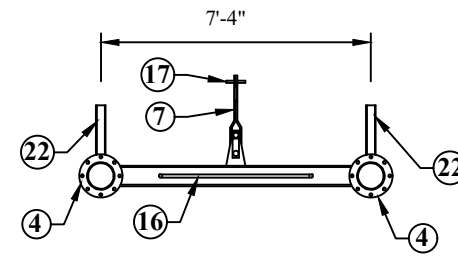
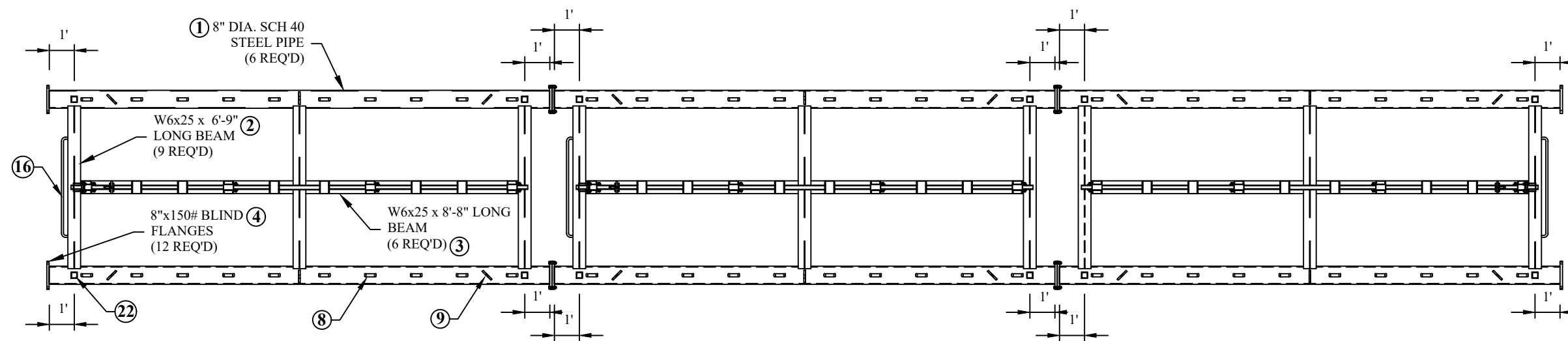


**BILL OF MATERIALS**

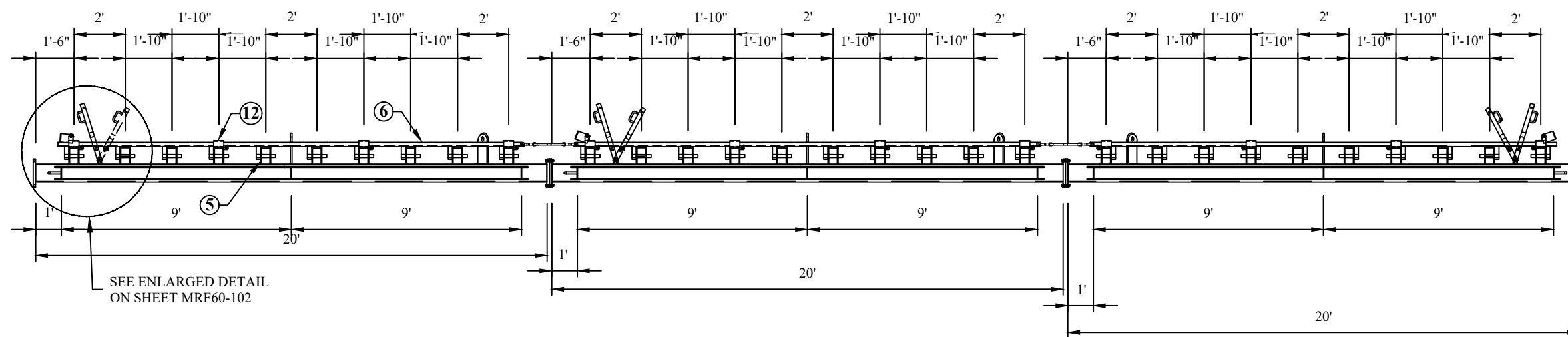
NO.	QTY.	DESCRIPTION	NO.	QTY.	DESCRIPTION
1	6	8" O.D. SCHEDULE 40 STEEL PIPE 20' LG.	13	3	1/4" x 4" F.B. x 16" LG
2	9	W6 X 25# BEAM 6'-9" LG	14	30	3/8" x 2" F.B. x 2" LG
3	6	W6 X 25# BEAM x 8'-8" LG	15	12	3/8" x 2" F.B. x 3" LG
4	12	8" X 150# BLIND FLANGES	16	3	5' X 1" COLD ROLL
5	30	4" X 8" RECT. TUBING	17	3	3/4" x 6" STEEL PINS C.R.
6	3	2x2x1/4" SQUARE TUBING x 18'-3" LG.	18	12	3/4" x 4 1/2" S. S. PINS
7	6	1/2" x 2" F.B. x 28 1/2" LG.	19	6	5/8" x 4 1/2" STD. BOLTS
8	63	3/4" ROUND BAR x 10" LG	20	18	5/8" STD. NUTS
9	18	3/4" PLATE LIFT EYE, 6" x 14" LG.	21	30	3/16" x 2" COTTER PINS S.S
10	30	2x2x1/4" F.B. x 6" LG.	22	12	3" X 3" X 18" SQ. TUBING
11	30	1 1/2" x 7" STEEL PIN C.R.	23	3	5/8 X 5 1/2 STD BOLT
12	12	3x3x1/4" SQUARE TUBING x 4 3/4" LG.			



**SIDE VIEW**



**PLAN VIEW**



**FRONT VIEW**

**SUBMAR®**  
 104 ROYAL OAK BLVD  
 THIBODAUX, LA 70301  
 PH. 985-868-0001  
 WEBSITE: WWW.SUBMAR.COM

No.	REVISION DESCRIPTION	DATE
1	NO CHANGE THIS SHEET	04/24/19
2	UPDATED SHEET INFO	01/31/25
3	UPDATED SHEET INFO	04/22/25
4	UPDATED SHEET INFO	03/15/26

DATE: 11/17/2016  
 DWN: MJP  
 PROJECT No:  
 CHK: JMF

60' MECHANICAL RELEASE  
 HANDLING FRAME

SHEET TITLE:  
 ASSEMBLY

SHEET No:  
**SRMF60-101**

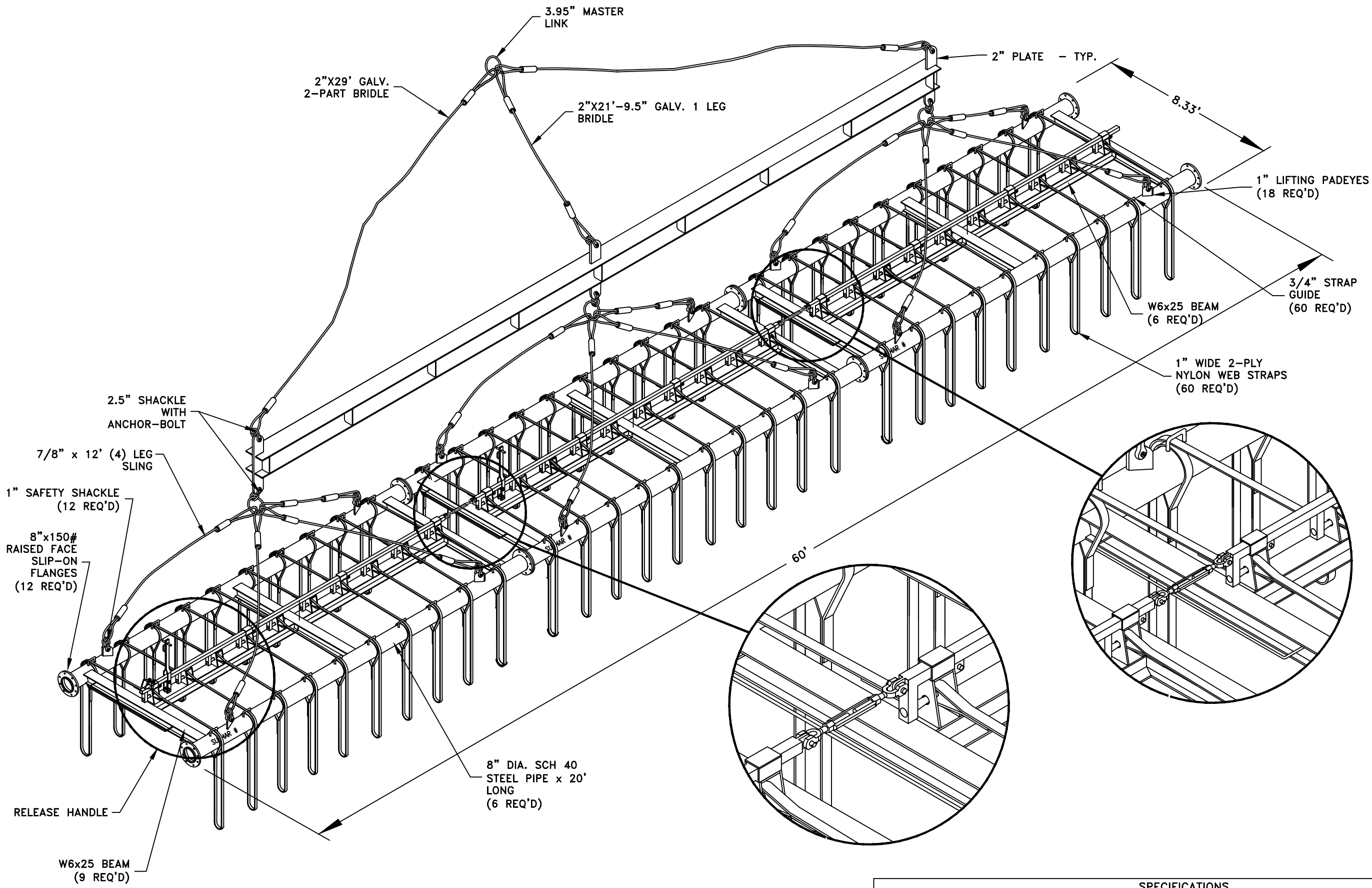
THESE CONCEPTUAL DRAWINGS ARE PREPARED BY SUBMAR FOR ESTIMATING PURPOSES ONLY AND ARE NOT CONSTRUCTION DRAWINGS. THESE CONFIDENTIAL DRAWINGS MAY NOT BE COPIED UNLESS APPROVED BY SUBMAR, INC. COPYRIGHT © SUBMAR, INC. 2026 ALL RIGHTS RESERVED.

SCALE: N.T.S.

	SPECIFICATIONS	
	IMPERIAL	METRIC
DIMENSIONS	8.33'x20'x1'	2.5mx6.1mx0.30m
FRAME EMPTY WEIGHT (W/ RIGGING)	9,550 lbs.	4.33 mt
WORKING LOAD LIMIT (WLL)	47.25 tn	42.86 mt

C:\USERS\JEROCH\ONE\DRIVE - SUBMAR\ENCL\DEPT\AUTOCAD\DETAILS\UPDATED FRAMES (02.04.25)\60' MECHANICAL RELEASE\CAD\REV 4\MRF\_60 FT MECHANICAL RELEASE\_REV.4

C:\USERS\JEROCHE\ONEDRIVE - SUBMAR\ENG\_DEPT\AUTOCAD\DETAILS\UPDATED FRAMES (02.04.25)\60' MECHANICAL RELEASE\CAD\REV 4\MRF\_60 FT MECHANICAL RELEASE\_REV 4



**SUBMAR®**  
 104 ROYAL OAK BLVD  
 THIBODAUX, LA 70301  
 PH. 985-868-0001  
 WEBSITE: WWW.SUBMAR.COM

No.	REVISION DESCRIPTION	DATE
1	UPDATED SHEET INFO	01/31/25
2	NO CHANGE TO SHEET	04/22/25
3	UPDATED SHEET INFO	03/15/26
4		

DATE: 11/17/2016  
 PROJECT No: DWN: MJP  
 CHK: JMF

60' MECHANICAL RELEASE  
 HANDLING FRAME

SHEET TITLE:  
 ISOMETRIC

SHEET No:  
 SRMF60-103

THESE CONCEPTUAL DRAWINGS ARE PREPARED BY SUBMAR FOR ESTIMATING PURPOSES ONLY AND ARE NOT CONSTRUCTION DRAWINGS. THESE CONFIDENTIAL DRAWINGS MAY NOT BE COPIED UNLESS APPROVED BY SUBMAR, INC. COPYRIGHT © SUBMAR, INC. 2026 ALL RIGHTS RESERVED.

SCALE: N.T.S.

DIMENSIONS	SPECIFICATIONS	
	IMPERIAL	METRIC
FRAME EMPTY WEIGHT (W/ RIGGING, SPREADER BAR, AND HANGING COMPONENTS)	15,500 lbs.	7.03 mt
WORKING LOAD LIMIT (WLL)	47.25 tn	42.86 mt