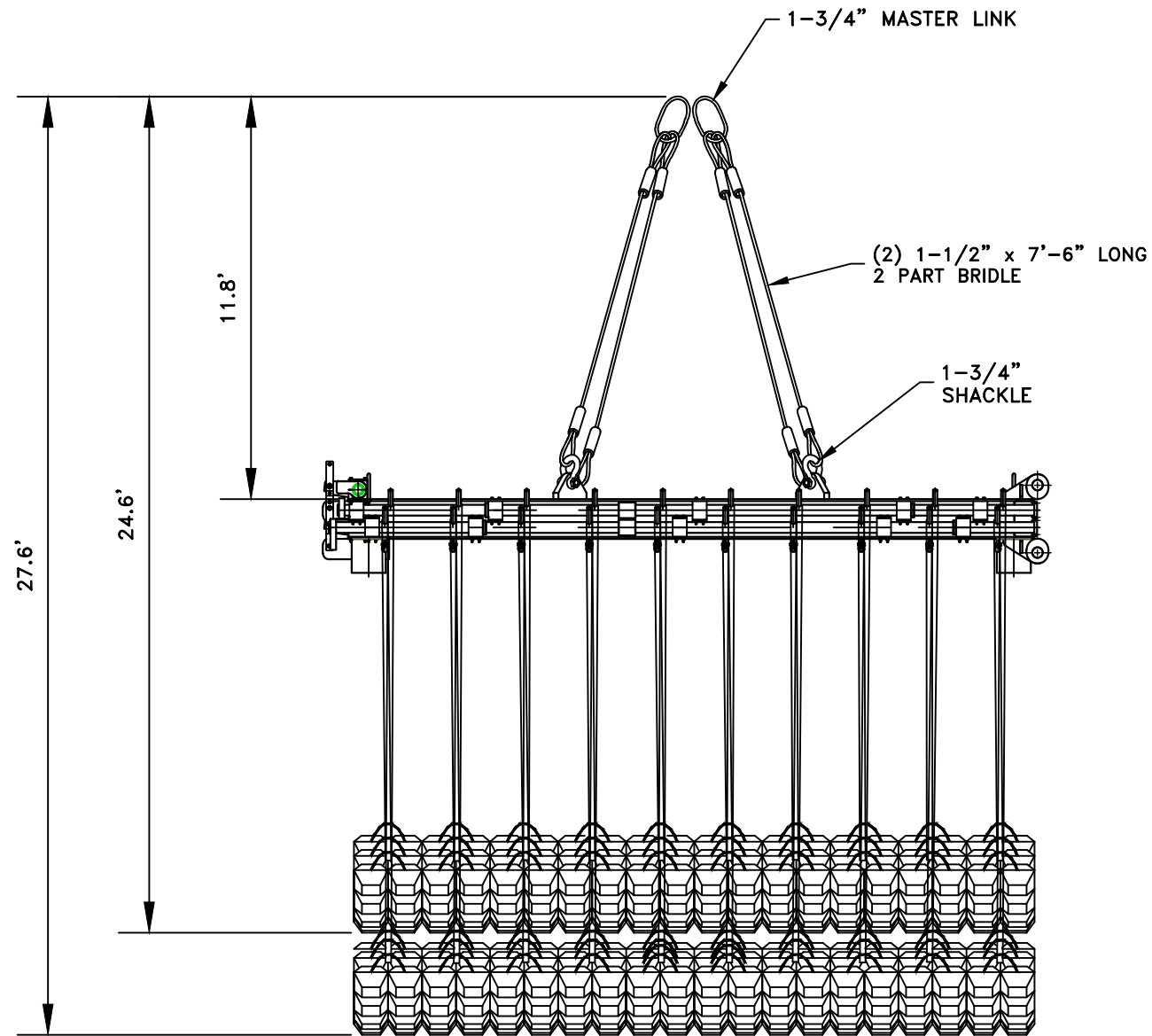


C:\USERS\KODON\ONEDRIVE - SUBMAR\ENG\_DEPT\AUTOCAD\DETAILS\UPDATED FRAMES (01.16.24)\05\20' DUAL RELEASE\CAD\REV1\OS20DRMF\_20\_FT\_REV1

THESE CONCEPTUAL DRAWINGS ARE PREPARED BY SUBMAR FOR ESTIMATING PURPOSES ONLY AND ARE NOT CONSTRUCTION DRAWINGS. THESE CONFIDENTIAL DRAWINGS MAY NOT BE COPIED UNLESS APPROVED BY SUBMAR, INC. COPYRIGHT © SUBMAR, LLC. 2025 ALL RIGHTS RESERVED.

SCALE: N.T.S.



SPECIFICATIONS		
	IMPERIAL	METRIC
DIMENSIONS	9.25'x21'x3.0'	2.8mx6.4mx0.91m
FRAME EMPTY WEIGHT	13,000 lbs.	5.9 mt
WORKING LOAD LIMIT (WLL)	31.5 tn	28.57 mt

**SUBMAR®**  
 104 ROYAL OAK BLVD  
 THIBODAUX, LA 70301  
 PH. 985-868-0001  
 WEBSITE: WWW.SUBMAR.COM

No.	REVISION DESCRIPTION	DATE
1	UPDATED SHEET INFO	2/4/2025

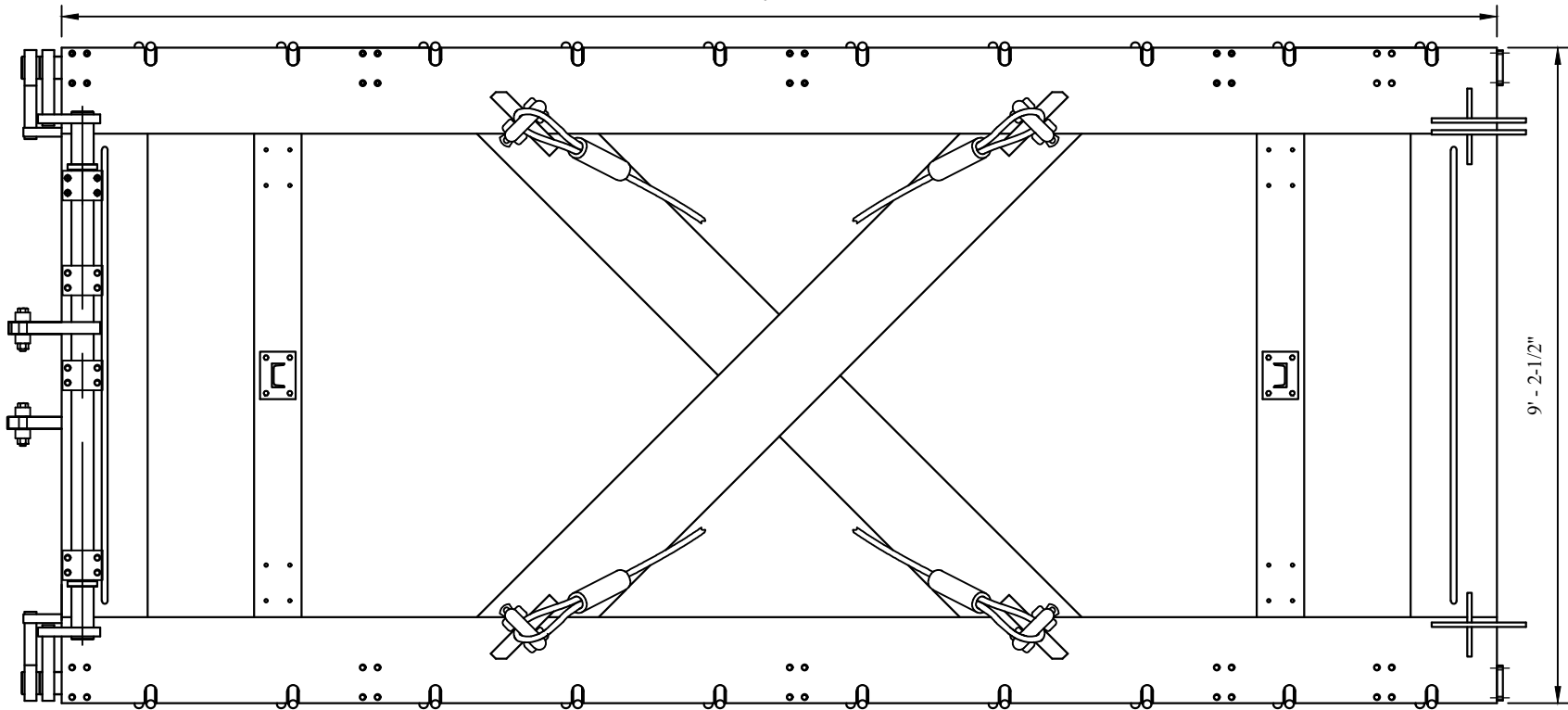
DATE: 01/09/2024	DWN: KJD
PROJECT No: OS20-DDRMF-SB	CHK: JMF

20' DUAL RELEASE  
 DEPLOYMENT FRAME ASSY  
 W/ MATS

SHEET TITLE:  
 OVERALL ASSY

SHEET No:  
 OS-20DRMF-100

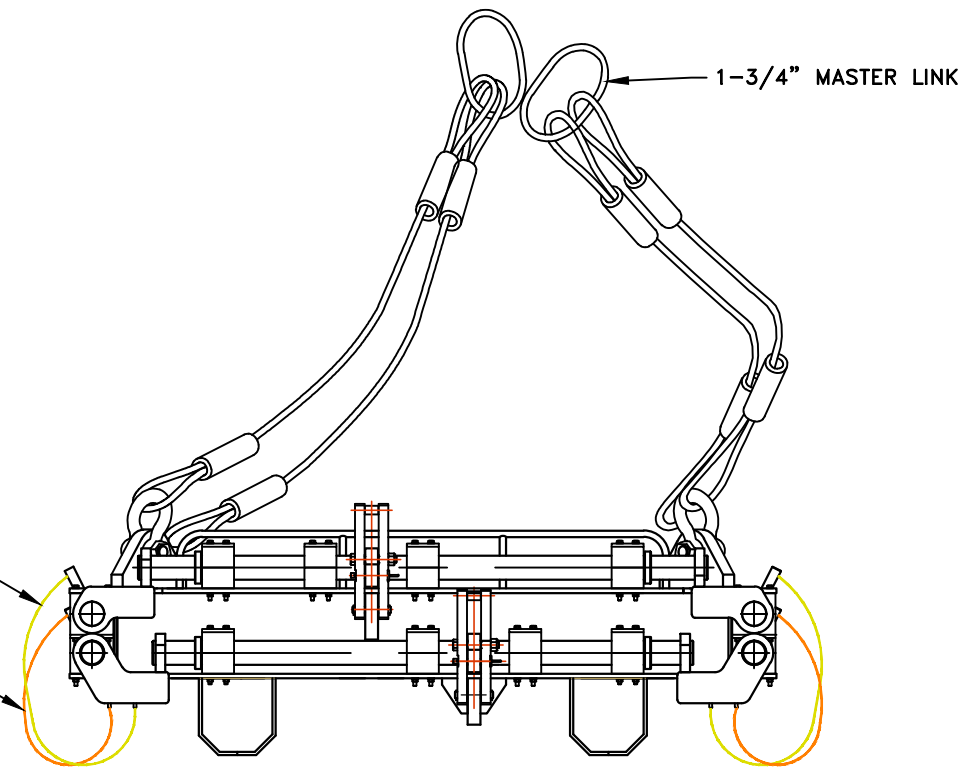
20'-2"



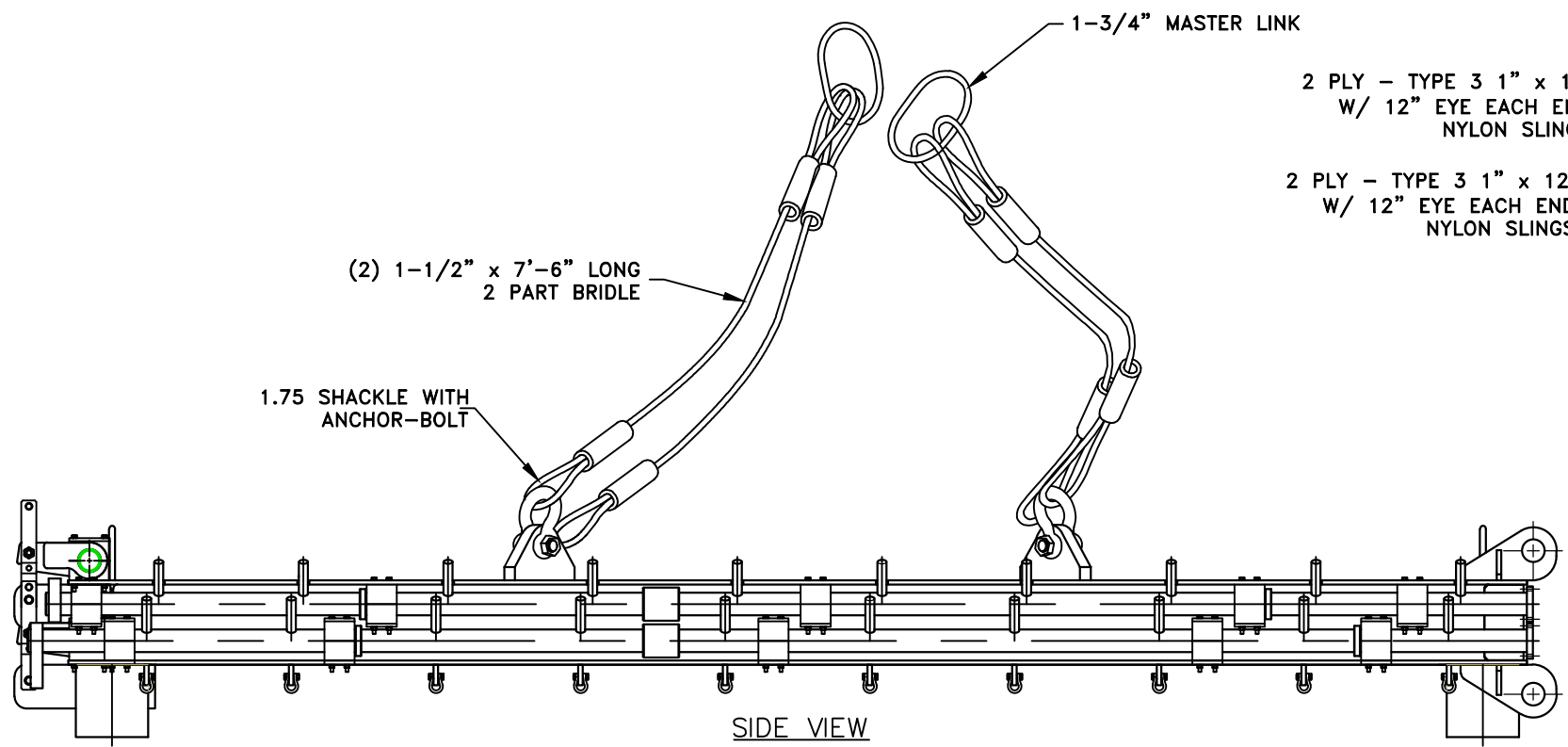
PLAN VIEW

MATERIAL LIST	
QTY	DESCRIPTION
4	1.75" SHACKLE 25T
40	.5 SHACKLE W/ ANCHOR BOLT
20	1" x 12" 2 PLY STRAPS
20	1" x 18" 2 PLY STRAPS
2	1-1/2" x 7'-6" 2 PART BRIDLE
2	1-3/4" MASTER LINK

9'-2-1/2"



LEFT END VIEW



SIDE VIEW

1-3/4" MASTER LINK

2 PLY - TYPE 3 1" x 18' W/ 12" EYE EACH END NYLON SLINGS

2 PLY - TYPE 3 1" x 12' W/ 12" EYE EACH END NYLON SLINGS

(2) 1-1/2" x 7'-6" LONG 2 PART BRIDLE

1.75 SHACKLE WITH ANCHOR-BOLT

**SUBMAR®**  
 104 ROYAL OAK BLVD  
 THIBODAUX, LA 70301  
 PH. 985-868-0001  
 WEBSITE: WWW.SUBMAR.COM

No.	REVISION DESCRIPTION	DATE
1	UPDATED SHEET INFO	2/4/2025

DATE: 01/09/2024	DWN: KJD
PROJECT No: OS20-DDRMF-SB	CHK: JMF

20' DUAL RELEASE  
 DEPLOYMENT FRAME ASSY  
 W/ MATS

SHEET TITLE:  
 FRAME ASSY

SHEET No:  
 OS-20DRMF-101

SPECIFICATIONS	IMPERIAL	METRIC
	DIMENSIONS	9.25'x21'x3.0'
FRAME EMPTY WEIGHT	13,000 lbs.	5.9 mt
WORKING LOAD LIMIT (WLL)	31.5 tn	28.57 mt

SCALE: N.T.S.

THESE CONCEPTUAL DRAWINGS ARE PREPARED BY SUBMAR FOR ESTIMATING PURPOSES ONLY AND ARE NOT CONSTRUCTION DRAWINGS. THESE CONFIDENTIAL DRAWINGS MAY NOT BE COPIED UNLESS APPROVED BY SUBMAR, INC. COPYRIGHT © SUBMAR, LLC. 2025 ALL RIGHTS RESERVED.

C:\USERS\KODON\ONEDRIVE - SUBMAR\ENG\_DEPT\AUTOCAD\DETAILS\UPDATED FRAMES (01.16.24)\OS\20' DUAL RELEASE\CAD\REV1\OS20DRMF\_20\_FT\_REV1